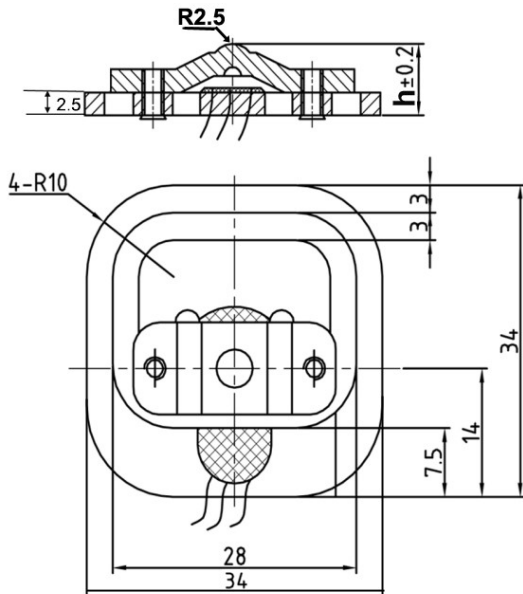


SC902

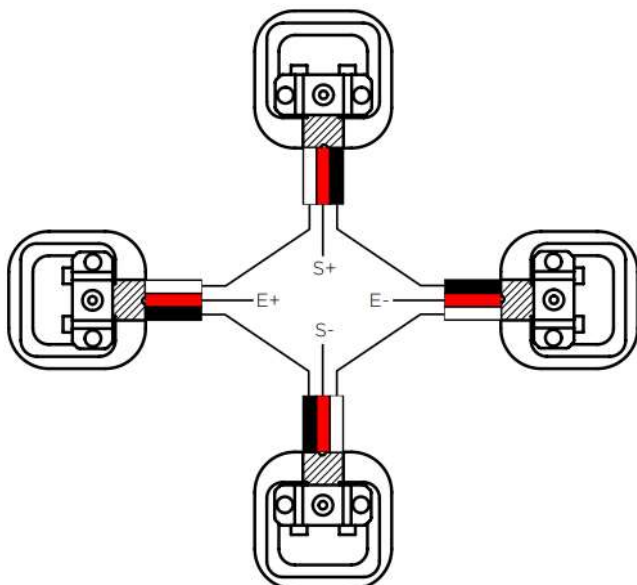
Half Bridge Micro Load Cell



Size: mm



Capacity	10kg	30kg	50kg	75kg	100kg
h	6.80	7.30	7.80	8.30	
Rated Output	0.7±0.15mv/v		1.0±0.15mv/v	1.3±0.15mv/v	



Type: Half bridge micro load cell (Red, Black, White)

Apply to: Body scale, micro force test equipment.

Specification:

Capacity	50kg
Accuracy	0.3% F·S
Rated output:	Refer to table
Non-linearity:	0.2% F·S
Hysteresis:	0.2% F·S
Repeatability:	0.1 % F·S
Creep:	0.1% F·S /3min
Zero balance:	±0.5mV /V
Input resistance:	1000±10Ω
output resistance:	1000±10Ω
Insulation resistance:	≥2000MΩ
Excitation voltage:	3~10VDC
Operating temperature:	-10~+40°C
Temp effect on zero:	0.3% F·S /10°C
Temp effect on span:	0.3% F·S /10°C
Ultimate overload	150%
Connecting cable	Φ0.8x380mm
Unit weight	22g/unit
Package	200 sets per carton

Wiring:

W:White R:Red B:Black

R1:Output-,Signal- R3:Output+,Signal+

R2:Input+,Excitation+ R4:Input-,Excitation-